

Nature Whirly-gigs

Objectives

Students learn about wildlife in Tulare County.

Method

The class makes paper hangers illustrating the wildlife in this area.

Materials: Each student gets...

4 copies of the "Popsicle Stick Template" sheet or "Woodsie Stick Template" sheet

24 popsicle sticks or 24 Woodsie sticks (5 ¼ x ¼ inch)*

Scissors

Glue: Beacon's EZ-Flow "Kids choice glue!"** or hot glue

4 six-inch pieces of yarn

Hole puncher

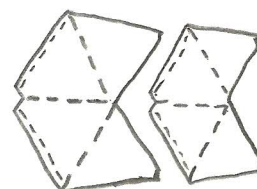
Crayons, colored markers, or colored pencils

*Woodsie sticks are similar to popsicle sticks, but they work a little better for this project since they are longer and skinnier. You can find them at Joanne's next to the popsicle sticks.

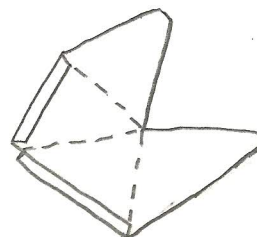
**Can be found at Joanne's. It works better than hot glue since the kids won't burn themselves with it. Be sure to ask for a teacher discount of 15%.

Procedure

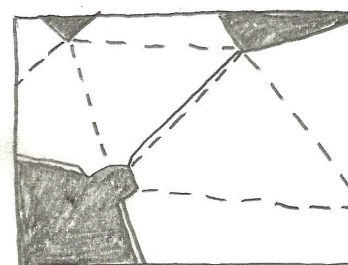
1. Cut out the shapes on the four template sheets.



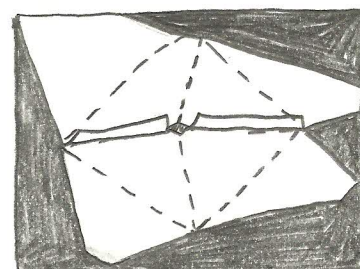
2. Fold along the dotted lines so that the tabs on the sides stand up.



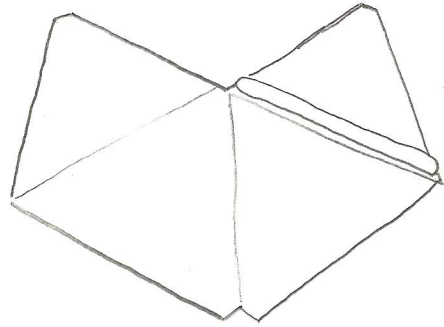
3. Put glue on the outside of two of the tabs and glue them together. The points of the shapes should point outwards.



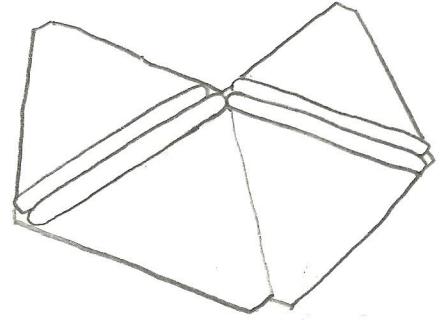
4. Glue the two loose tabs together.



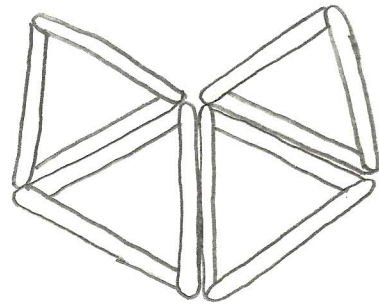
5. Flatten the Whirly-Gig so that you can start glue-ing down the popsicle sticks.



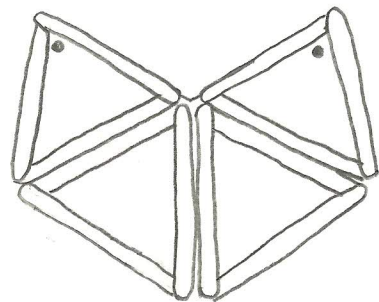
6. Glue popsicle sticks on both sides of the folded lines between the top and bottom triangles.



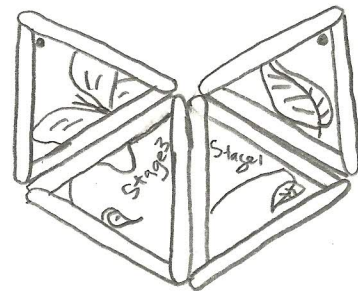
7. Glue popsicle sticks along the remaining edges of the triangles. The ends of the popsicle sticks should over-lap. Then, glue the popsicle sticks to the other side of the Whirly-gig, too.



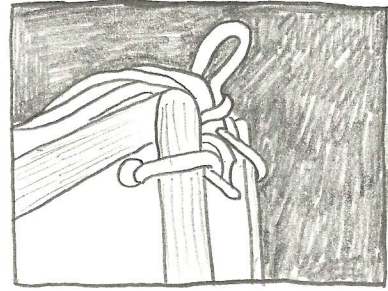
8. Punch holes at the tips of all four triangles on the top half of the Whirly-gig.



9. Draw pictures in each of the panels on your Nature Whirly-gig. You can choose a theme, such as “animals and their homes” or “plants and their seeds.” For some examples, see the attachment.



10. Tie one piece of yarn through each hole that you punched



11. Tie the bunch of yarn in a knot at the top of the whirly-gig to keep the shapes together

12. You're done! Hang the Whirly-gig in your window or somewhere pretty.

